

# BUDI Splice with FIST

## Building distribution enclosure for splice applications

### What is BUDI?

BUDI is a product range of compact, wall mountable fiber enclosures for indoor and outdoor use. They are specifically designed for fast deployment and easy customer connection. The FIST management system is a proven TE Connectivity technology for optimal fiber organization and splicing.

Available with splicing and/or patching capabilities, high connector density, small and larger footprints, the BUDI product range offers flexible solutions for a wide range of applications in the access network.

### Benefits

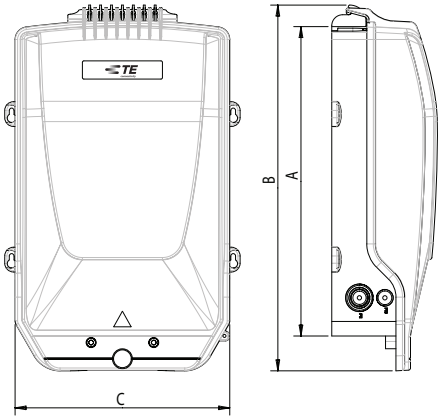
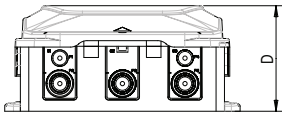
- Easy to install
- Compact and flexible design
- Extensive product range
- Proven FIST fiber management system

### Features

- Designed to operate in category C (controlled), category G (outdoor ground level) and category A (aerial) as characterized by IEC 61753-1
- Fire retardant, LSZH materials
- UV stable material for outdoor above ground use
- Multiple cable ports available
- Bottom cable seal blocks are wrap-around
- UMS (Universal Mounting System) available to mount FIST-SOSA2 splice modules
- Allows integration of passive optical components
- Small and large footprints
- Multiple accessories available to terminate and seal different cable types
- Removable enclosure lid

Features	Type of BUDI			
	BUDI-2S	BUDI-1S	BUDI-S	BUDI-M
UMS	6	16	28	36
Splices (single element)	36	96	168	216
Splices (single circuit)	12	32	56	72
Cable loop	no	yes	yes	yes
Lock	lead wire	key	key	key
FSASA splitter integration	no	yes	yes	yes

## Dimensions



Size	BUDI-2S	BUDI-1S	BUDI-S	BUDI-M
A: Height box (mm)	260	340	425	480
B: Height cover (mm)	285	420	500	550
C: Width (mm)	155	240	295	360
D: Depth (mm)	60	120	145	175

## Ordering Information

### Empty box

**BUDI-X-SP-X**

#### Size

1S  
S  
M

Please refer to dimensions above.

#### Lock

A No Lock  
B TE lock

Single element and single circuit trays should be ordered separately.

### Pre-configured box

**BUDI-2S-SP-XX X X**

#### Number of splices

12 with single circuit/single element  
24 with single element only  
36 with single element only

#### Splice holder

S SMOUV  
A ANT

#### Type of tray

E single element  
C single circuit

For more technical options and order quantity information, please consult the product ordering guides or your local sales representative.

FIST, SMOUV, TE (logo) and TE Connectivity are trademarks of the TE Connectivity family of companies and its licensors.

The information given herein, including drawings, illustrations and schematics which are intended for illustration purposes only, is believed to be reliable. However, TE Connectivity makes no warranties as to its accuracy or completeness and disclaims any liability in connection with its use. TE Connectivity's obligations shall only be as set forth in TE Connectivity's Standard Terms and Conditions of Sale for this product and in no case will TE Connectivity be liable for any incidental, indirect or consequential damages arising out of the sale, resale, use or misuse of the product. Users of TE Connectivity products should make their own evaluation to determine the suitability of each such product for the specific application.

Tyco Electronics Raychem bvba  
Diestsesteenweg 692  
3010 Kessel-Lo, Belgium  
Tel 32-16 351 011 (USA)1-919-557-8900  
Fax 32-16 351 697(USA)1-919-557-8498  
www.te.com  
www.telecomnetworks.com  
TC 1160/DS/1 08/13

